



**DENSO**    
INVENTOR OF THE QR CODE®

## [ BHT-1200 Series ]



Ergonomic design—easy to hold and operate



Fast wireless communication; supports IEEE802.11b/g/n



Super high-speed scanning increases work efficiency



Large, easy-to-view 3.5-inch HVGA color display



Robust, highly durable construction

1-D and 2-D models



# HIGH-PERFORMANCE GLOBAL MODEL INCREASES EFFICIENCY

Easy to operate—The flexibility of a PDA, with the power of a terminal



**Easy to operate with only one hand, or even with just your thumb.**

- ▣ Ergonomic key arrangement enables one-hand operation.



**Easy to hold**

- ▣ About the same width as a smartphone (57 mm); shaped to fit easily in your hand.



**Secure grip**

- ▣ Stable one-hand operation with built-in hand strap.



**12 function keys**

- ▣ One-key access for up to 12 frequently used functions.
- ▣ Backlight allows use in dark environments.



**Large screen lets you quickly see information at a glance**

- ▣ High-precision, 3.5-inch HVGA color display clearly shows even small-sized characters.



## SCANNING PERFORMANCE

Superfast scanning. Scans reliably even at a distance.



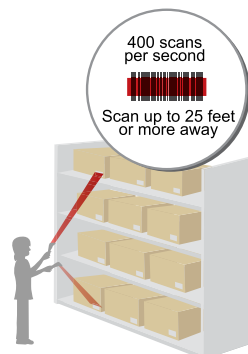
**1-D model**

- ▣ 400 scans per second.
- ▣ Reads even complicated codes at high speed.
- ▣ Reading speed is three times faster than conventional laser scanners.
- ▣ Reads even scratched or damaged codes, so you can work fast without interruption.



**1-D model**

- ▣ Read codes at a distance without having to change position.
- ▣ Read codes from close up, or as far away as 25 feet or more.
- ▣ Easy to scan items on all shelves, from top to bottom.



**2-D model**

- ▣ Laser indicates scanning range and center of focus.
- ▣ Patented scanner rangefinder enables fast scanning. \*Patent No.3562395



Scanning range\*

Center of scanning field

# GLOBAL SUPPORT SYSTEM

Experience DENSO quality and service, worldwide

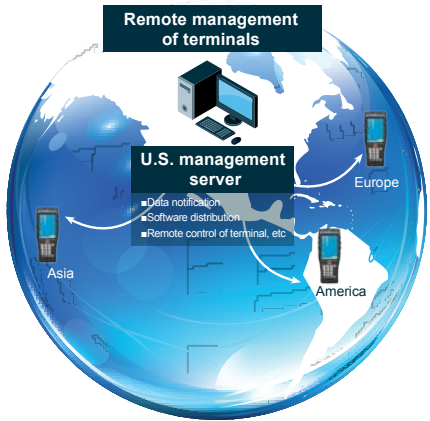


**Comprehensive support system available in more than 40 countries throughout the world.**

DENSO Group operates globally, providing prompt support with a full range of services, from sales to maintenance. Language options allow you to change the language being displayed.

## Large installed base

USA, Japan, EU (27 countries), Canada, Taiwan, Korea, Australia, New Zealand, Thailand, Malaysia, Indonesia, Philippines, Hong Kong, China, Russia, Brazil



## MobiControl worldwide terminal management

**Supports an integrated management tool with the world's largest market share. Dramatically reduces the cost and effort required for application support.**

The BHT-1200 supports MobiControl® integrated management tool for terminals\*\*. No matter where your terminals are used throughout the world, they are managed by the MobiControl server, resulting in a reduction in the cost and effort required to run them and ensuring that they continue to operate seamlessly.

- Synchronize management server and terminal**  
 Collect data from each terminal and distribute data stored on the server.
- Easy to install and update application software**  
 Automatic software updates.
- Identify terminal faults when errors occur**  
 Analyze terminal program to find the cause of the failure.
- Enhanced security protects against information theft**  
 Embedded security functions protect in case of terminal loss as well as against server attack or information theft. Automatic software updates.

\* MobiControl is a registered trademark of Soti, Inc.  
 \*\* Separate contract required to use MobiControl.

# WIRELESS AND SECURITY

The stability and speed required for business use



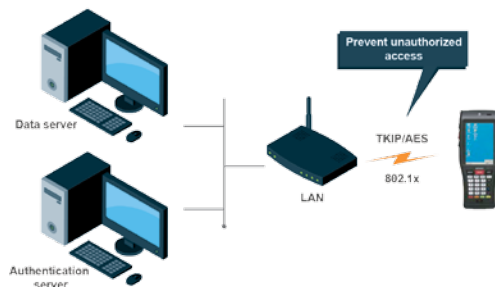
**Fast wireless communication. Avoid delays caused by network congestion.**

- Supports IEEE802.11b/g/n, for reliable high-speed wireless communication.
- Reconnect to the wireless network in just one second, using DENSO's proprietary software.



**Prevent unauthorized access.**

- Highly reliable WPA/WPA2 (as well as WEP) network security.



# CAMERA

5.0-megapixel camera



- Take photos of defective products while scanning.
- Dual-function product features 5.0-megapixel camera.
- Convenient autofocus and built-in flash.



# DATA BACKUP



- Back up RAM data to MicroSDHC.



- High-capacity, 2 GB flash ROM.

# DURABILITY



- Usable in cold storage and even outdoors in hot summer weather.
- Operating temperature -4 to 122 °F (-20 to 50 °C)

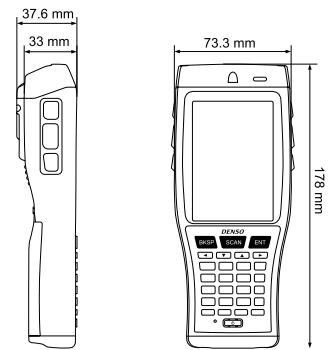


- Cylindrical jacket structure protects PCB (main board) from impact, dust and water.


# BHT-1200 SPECIFICATIONS

		1-D model	2-D model	
		Built-in microphone and receiver		
Type		BHT-1261BWB-CE	BHT-1261QWB-CE	
OS		Windows® Embedded CE 6.0 R3		
CPU		ARM Coretex-A8 800 MHz		
Memory	RAM	Mobile DDR 512 MB		
	ROM	2.0 GB		
Display	Number of pixels <sup>1</sup>	320 x 480 (3.5" HVGA) / 240 x 320 (3.5" QVGA)		
	Display	Liquid crystal dot matrix (color)		
	Backlight	White LED		
Scanner	Scanning system	Advanced Scan Plus™ (CCD)	Area sensor	
	Readable codes	1-D codes	EAN-13/-8(UAN-13/-8), UPC-A-E, UPC/EAN (add-on embedded), Interleaved 2 of 5, Standard 2 of 5, Codabar (NW-7), Code 39, Code 93, Code 128, GS1-128 (EAN-128), MSI, GS1 DataBar (RSS)	EAN-13/-8(UAN-13/-8), UPC-A-E, UPC/EAN (add-on embedded), Interleaved 2 of 5, Codabar (NW-7), Code 39, Code 93, Code 128, GS1-128 (EAN-128), GS1 DataBar (RSS)
		2-D codes	-	QR Code, micro QR Code, SQRC, iQR, PDF417, micro PDF417, MaxiCode, Data Matrix (ECC 200), Aztec, GS1 DataBar Composite (EAN.UCC Composite)
	Minimum resolution	1-D codes	0.125 mm	
		2-D codes	-	0.167 mm
	Scanning guide	CCD illumination		Laser guide pattern
	Scan confirmation	LED (three colors: red, green, blue), speaker, vibration		
Keyboard	Number of keys	30 (excluding power key) plus 3 trigger keys		
Network	Wireless I/F	Standard	IEEE802.11b/g/n	
		Frequency	2.4 GHz	
		Network range <sup>2</sup>	Indoor: approx. 150 m; outdoor: approx. 300 m	
	Transmission Speed <sup>2</sup>	IEEE802.11b: 11/5.5/2/1 Mbps; IEEE802.11g: 54/48/36/24/18/12/9/6 Mbps; IEEE802.11n: 65/58.5/52/39/26/19.5/13/6.5 Mbps		
		Security	WEP40, 128, WPA-PSK (TKIP, AES), WPA2-PSK (TKIP, AES), WPA-1x (TKIP, AES/EAP-TLS, PEAP), WPA2-1x (TKIP, AES/EAP-TLS, PEAP), 802.1x (EAP-TLS, PEAP)	
	Bluetooth	Bluetooth Ver 2.0, EDR Class 2		
Cradle I/F	RS-232C/USB client			
Card slot	MicroSDHC			
Camera	5.0 megapixels, auto-focusing			
Power	Main battery	Lithium-ion		
	Operating time <sup>3</sup>	Standard battery: approx. 23 hours High-capacity battery: approx. 34 hours	Standard battery: approx. 22 hours High-capacity battery: approx. 33 hours	
Additional functionality	VOIP, speaker, vibration alert, battery-voltage indicator, key backlight, G-sensor, microphone, clock			
Environmental requirements	Operating temperature	-4 to 122°F (-20 to 50 °C) <sup>4</sup>		
	Protection level	IP54		
	Drop resistance <sup>5</sup>	Drop onto concrete floor more than 1,000 times from 0.2 m and 30 times from 1.5 m (5 times on each of 6 sides)		
Weight (incl. battery, stylus pen, hand strap) <sup>6</sup>	Approx. 330 g		Approx. 340 g	

# DIMENSIONS




# INCLUDED ACCESSORIES

- Hand strap
- Stylus pen
- Operation guide
-  User manual

Battery and battery cover not included.

# SOFTWARE

-  Software Development Kit (SDK) for BHT Windows® CE<sup>1</sup>
  - Keyboard interface software [kbifCE]<sup>2</sup>
1. Can be downloaded at [www.denso-adc.com](http://www.denso-adc.com) free of charge by customers who have purchased a Windows-version BHT.
  2. Pre-installed on BHT.

 Items with this symbol are available from [www.denso-adc.com](http://www.denso-adc.com) free of charge.

1. LCD manufactured with high-precision technology. Number of available pixels is 99.99% (max. 0.01% of pixels may be missing or turned off).
2. Transmission range and speed are theoretical values and may vary depending on operating environment.
3. At a scanning:wireless transmission:screen update:standby ratio of 1:1:20, with wireless on standby (power-save on) and LCD backlight low. Operating time given is for room temperature and may vary depending on environmental conditions.
4. Rises from 0 to 40 °C (32 to 104 °F) while charging.
5. Test value only (not guaranteed).
6. When using standard battery.

# OPTIONAL ACCESSORIES (sold separately)

Transmission unit (cradle) for data communication between BHT and higher-level devices

- CU-1233 (RS-232C/USB communication, main-unit charging, reserve-battery charging)
- CU-1211 (Ethernet communication, main-unit charging, reserve-battery charging)



	CU-1233	CU-1211
Communication mode	RS-232/USB 2.0	Ethernet (100BASE-TX)
Charging time (main unit)	Standard battery: approx. 3 hrs.; high-capacity battery: approx. 4.5 hrs.	
Reserve charging	Standard battery: approx. 3 hrs.; high-capacity battery: approx. 4.5 hrs.	
Dimensions (mm)	133 (D) x 97 (W) x 101 (H)	
Power supply	AC adapter (AD3-1012/3000-2)	



BHT-1200 Web page

## Direct cable

- Connects BHT to higher-level devices
- RS-232C  USB

## Batteries

- BT-110LA  BT-120LA-C
- BT-110L  BT-120L-C

## Cases and shoulder belt

- SCBHT-1100/1200
- SCBHT-1200Q
- WHBHT-1200
- SBBHT-700

**DENSO**   
INVENTOR OF THE QR CODE®

## [DENSO ADC]

3900 Via Oro Ave.  
Long Beach, CA. 90810  
Phone + (888) MY DENSO  
+ (888) 693 3676  
Fax + (310) 835 8724  
[denso-adc@denso-diam.com](mailto:denso-adc@denso-diam.com)  
[www.denso-adc.com](http://www.denso-adc.com)